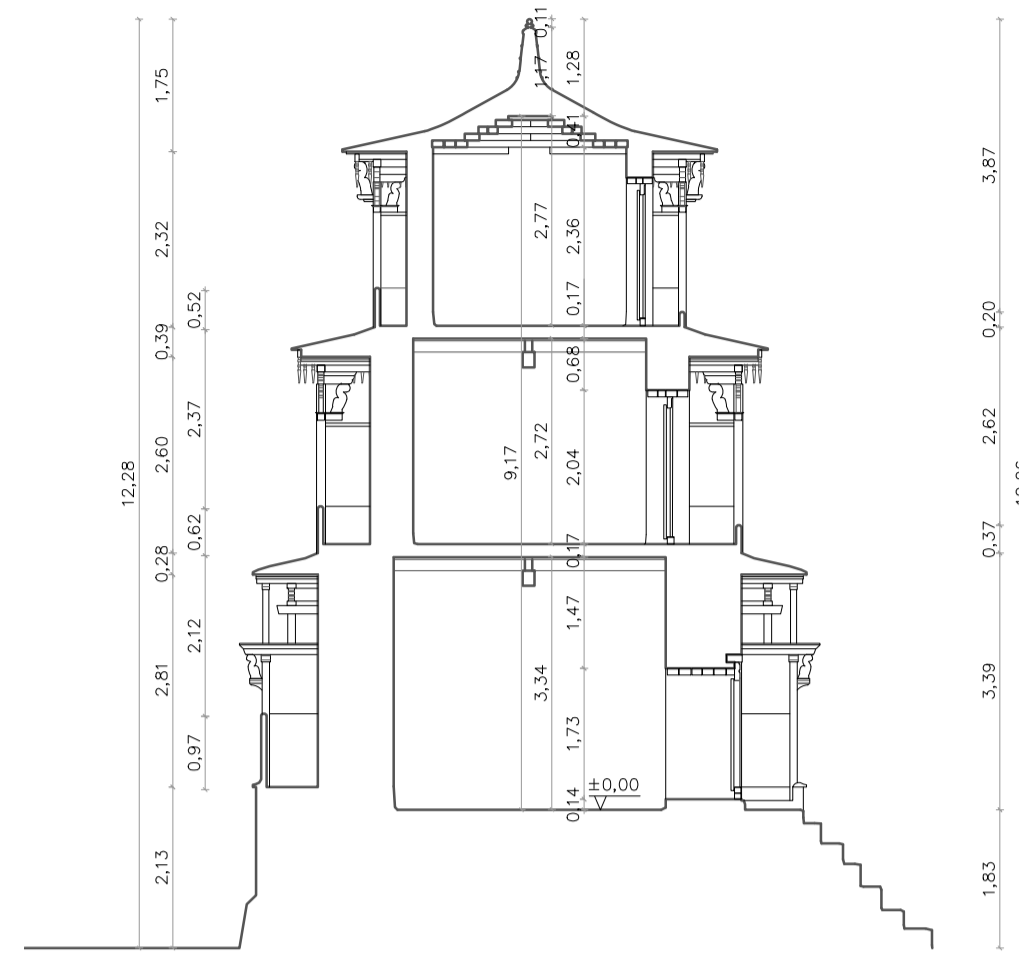
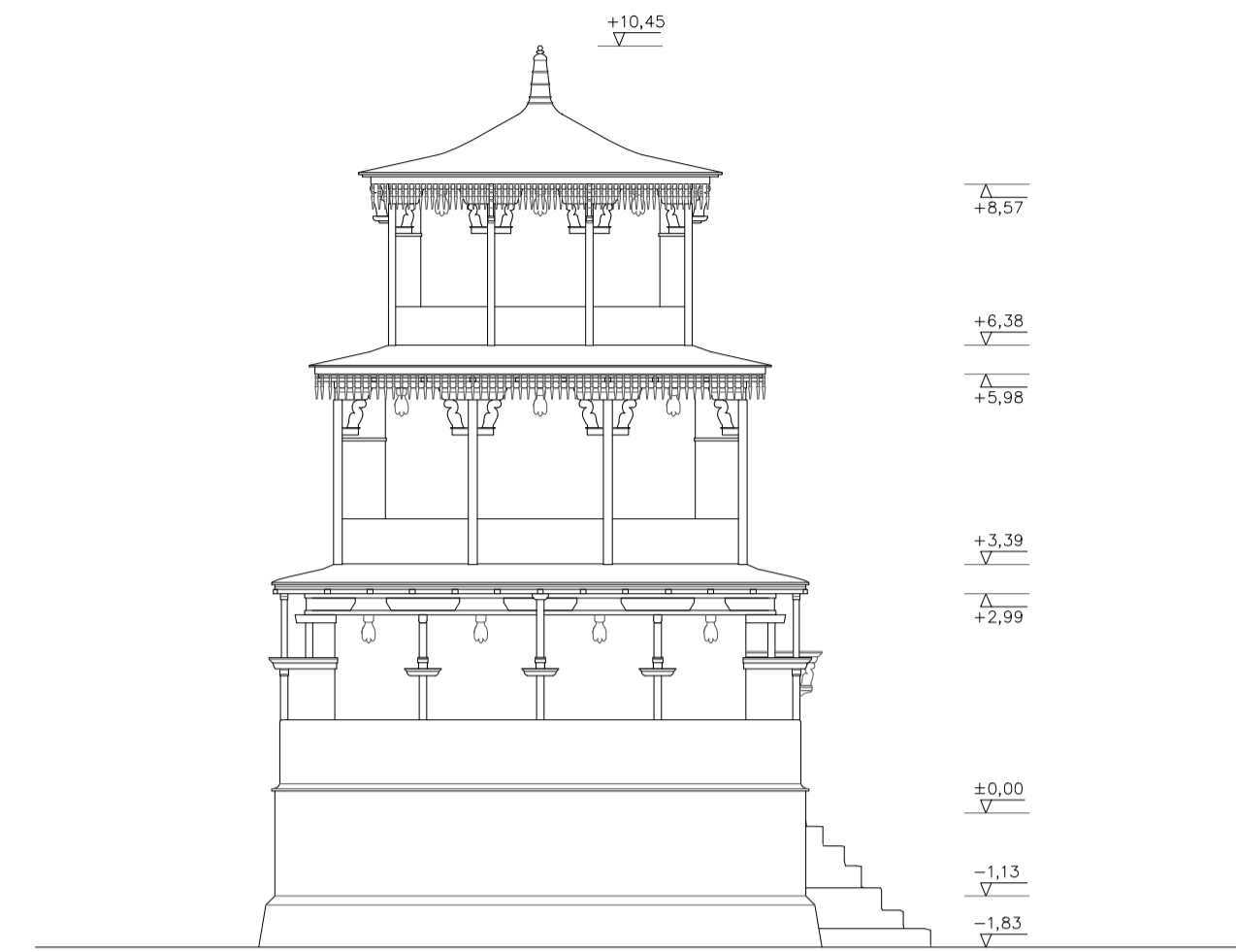


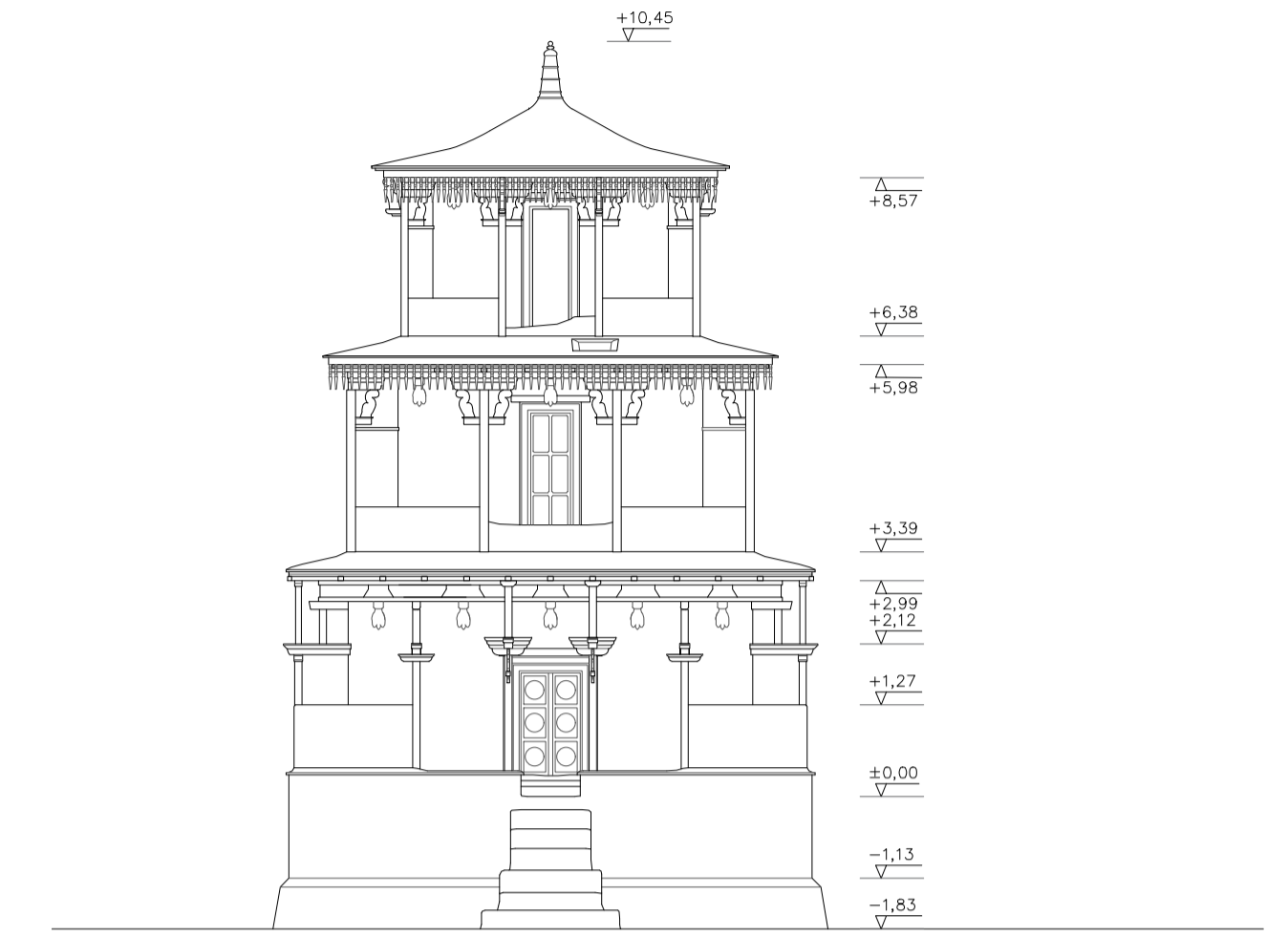
Southeast elevation



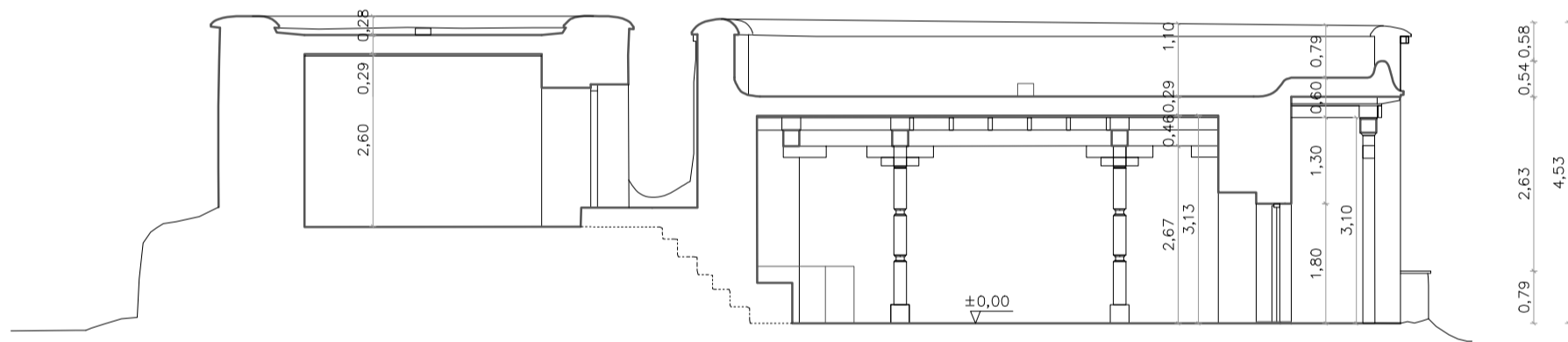
Section of the reconstruction



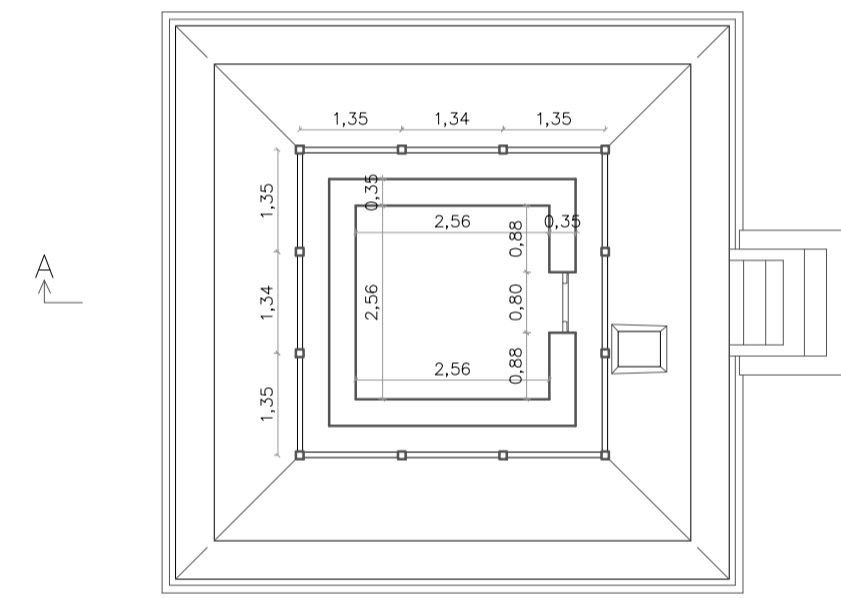
Southeast elevation of the reconstruction



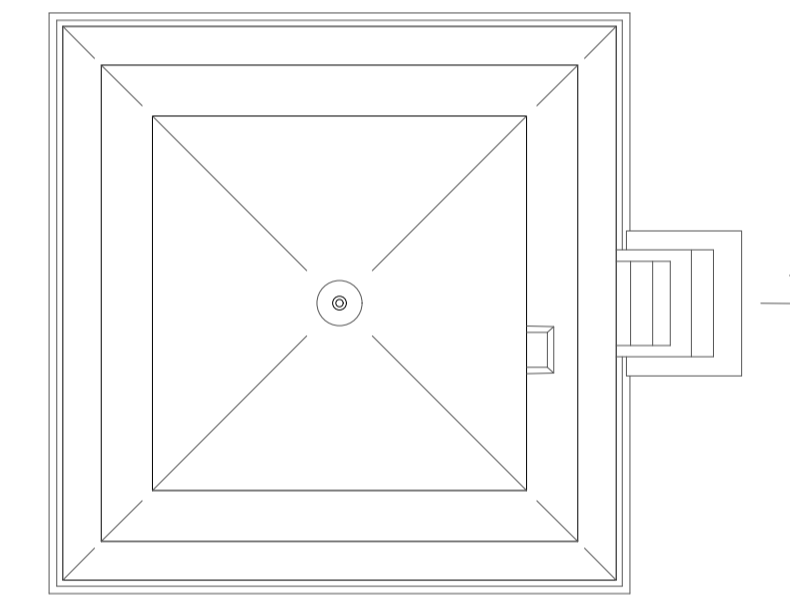
Northeast elevation of the reconstruction



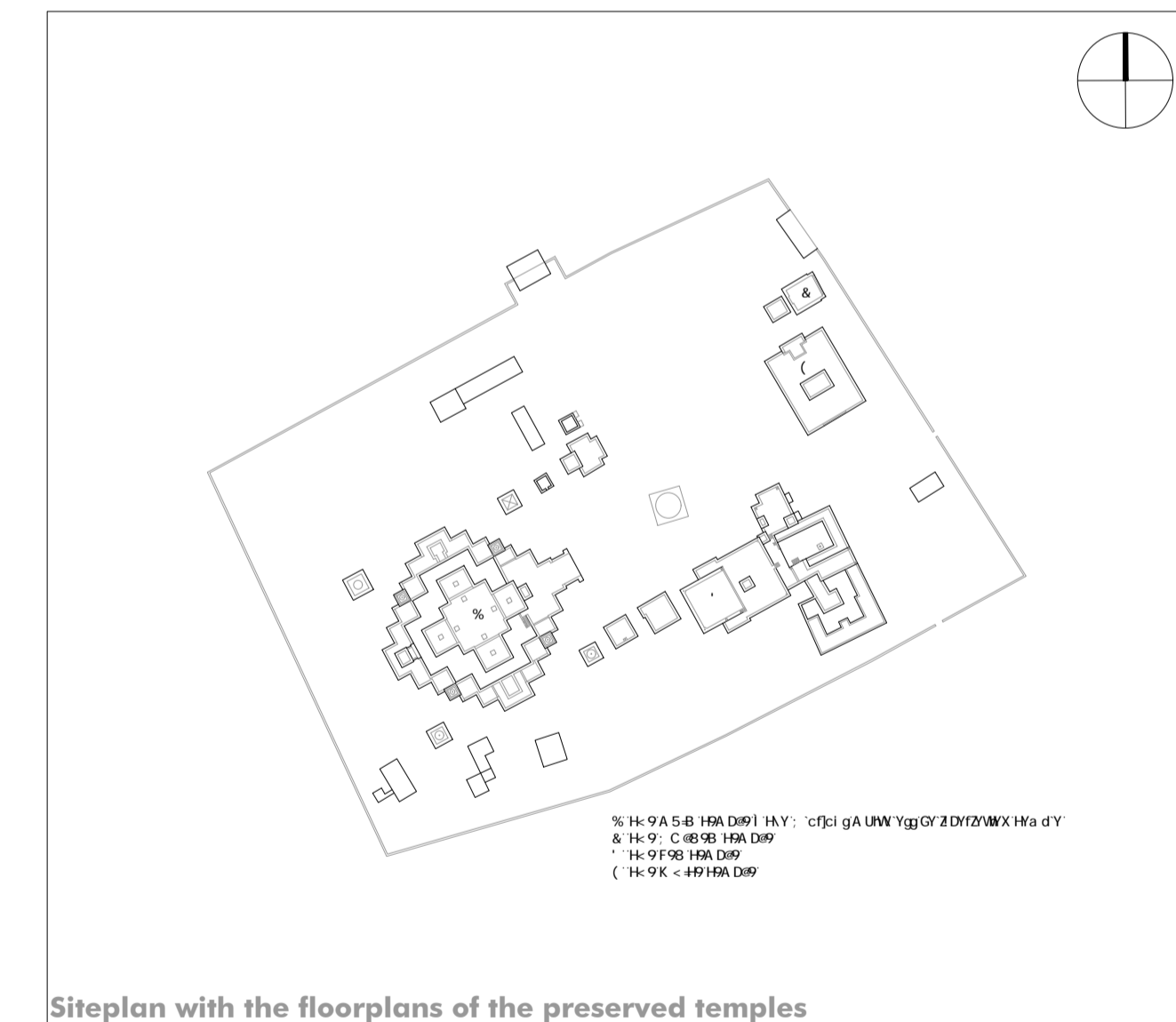
Longitudinal section A-A



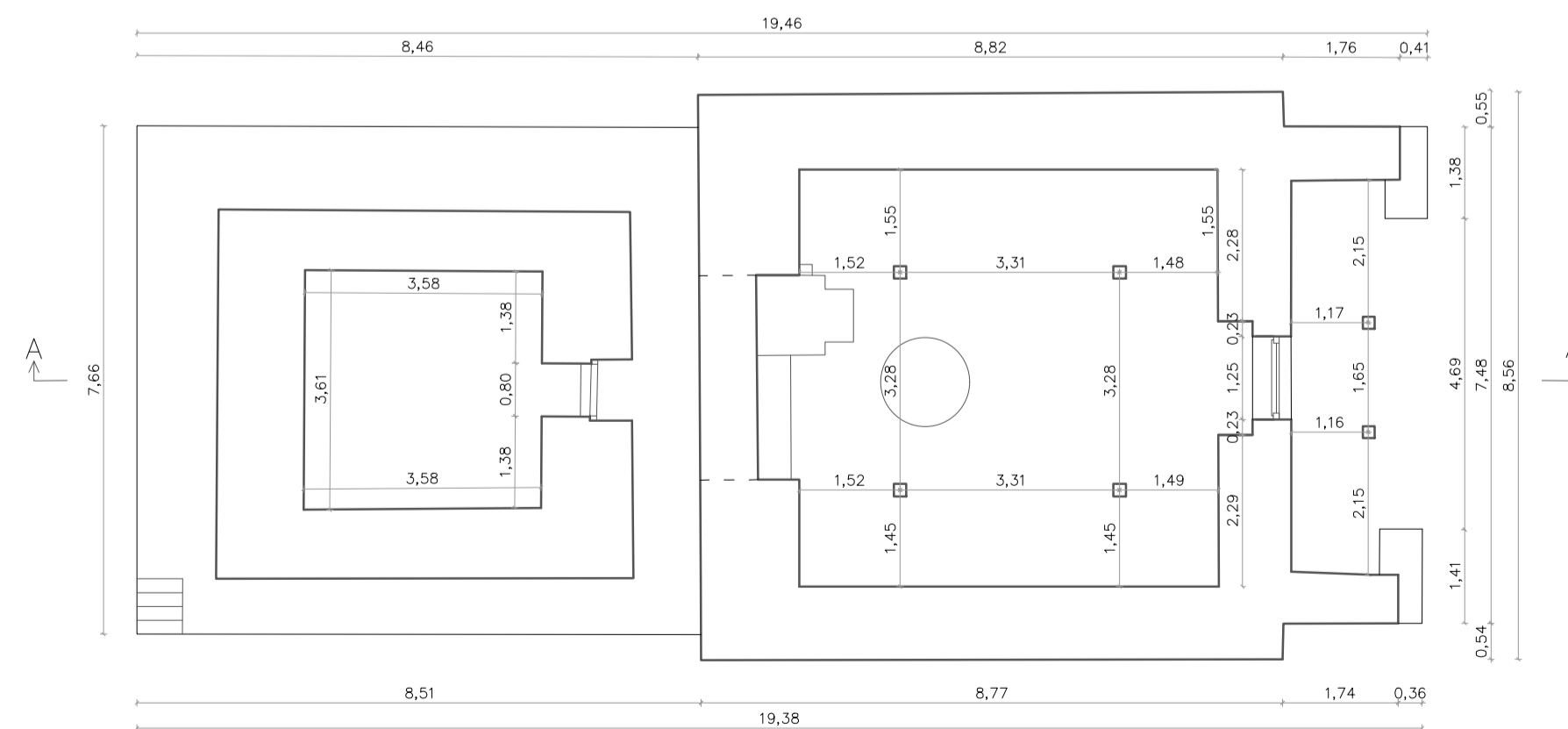
The reconstruction of the floor plan of the third floor



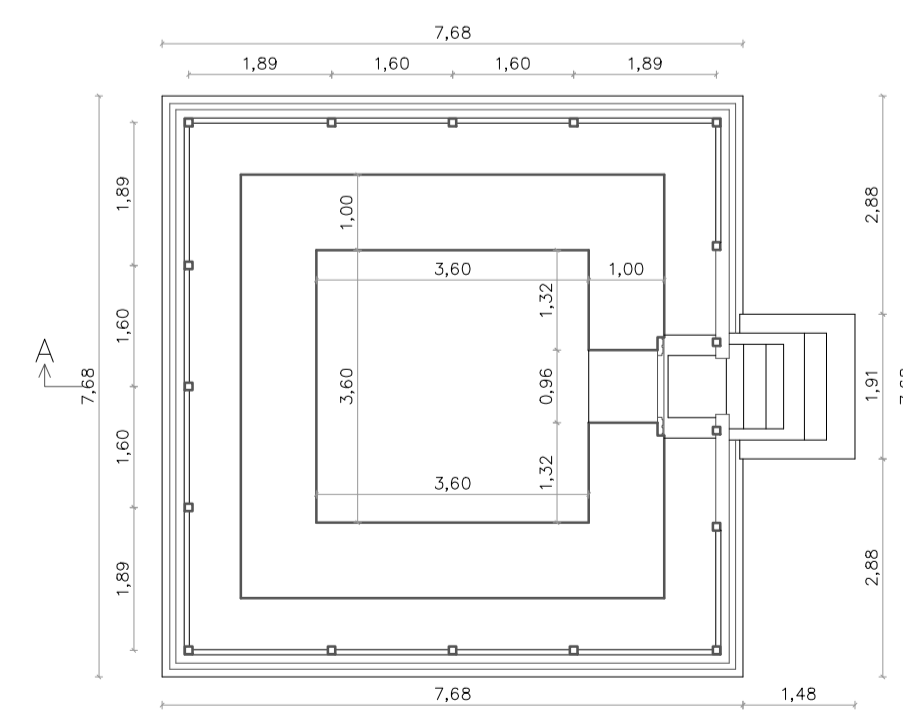
The reconstruction of the roof view



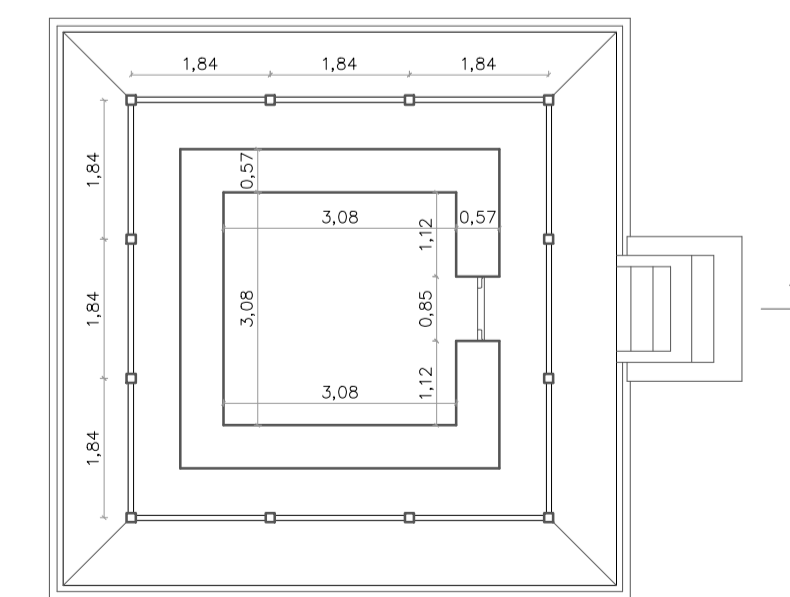
Siteplan with the floorplans of the preserved temples



Floor plan



The reconstruction of the floor plan of the first floor



The reconstruction of the floor plan of the second floor

BUDDHIST ARCHITECTURE IN THE WESTERN HIMALAYAS

Graz University of Technology - Faculty of Architecture
Institute of Architectural Theory, Art History and Cultural Studies

Title: The Monastic Complex of Tholing - The Golden Temple

Location: Western Tibet/Ngari, 31°28'59.07" N 79°47'50.24" E

Plan content:	Siteplan with floorplans Floor plans Sections Elevations	Scale:	1:2000 1:100 1:100 1:100
---------------	---	--------	-----------------------------------

Building survey: 2007

Plan date: 06.02.2024	Plan number: 03/06	Further information: www.archresearch.tugraz.at/results/tholing
-----------------------	--------------------	--