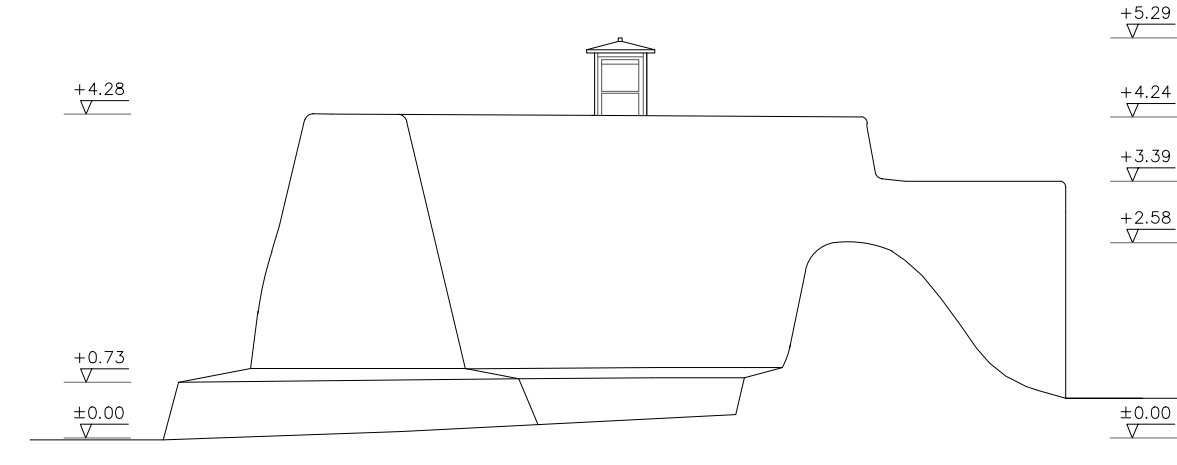
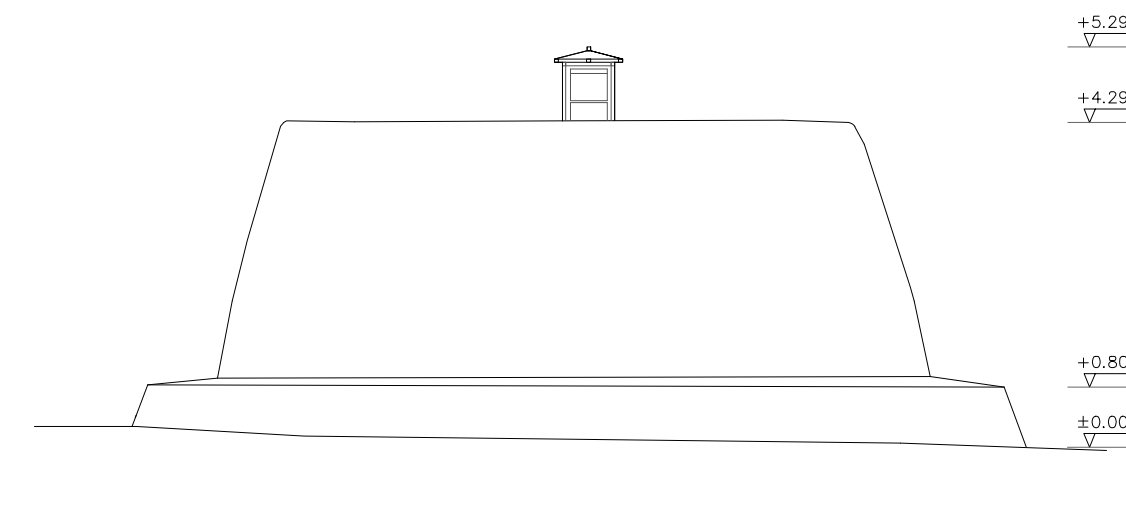


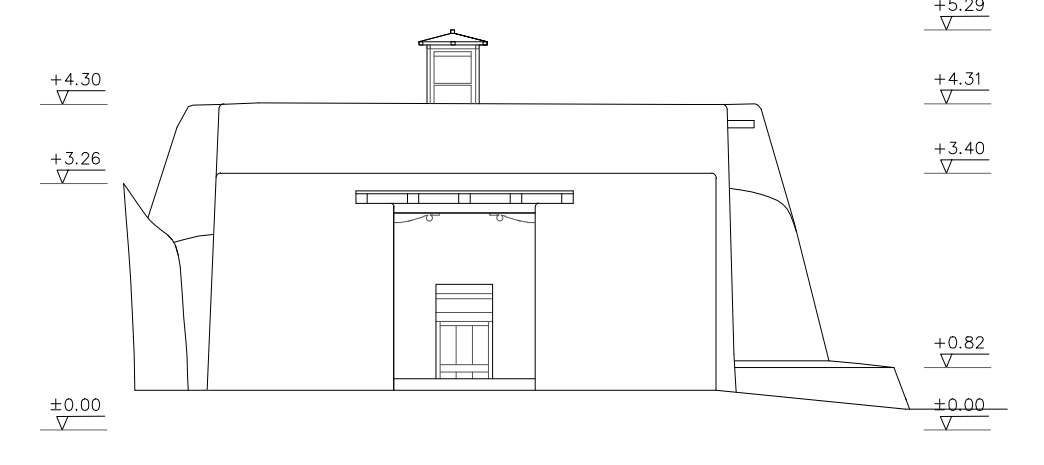
North elevation



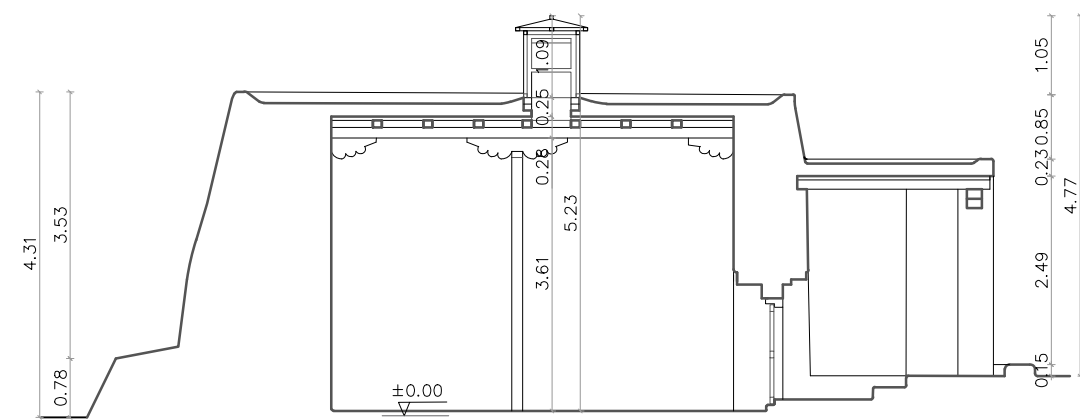
South elevation



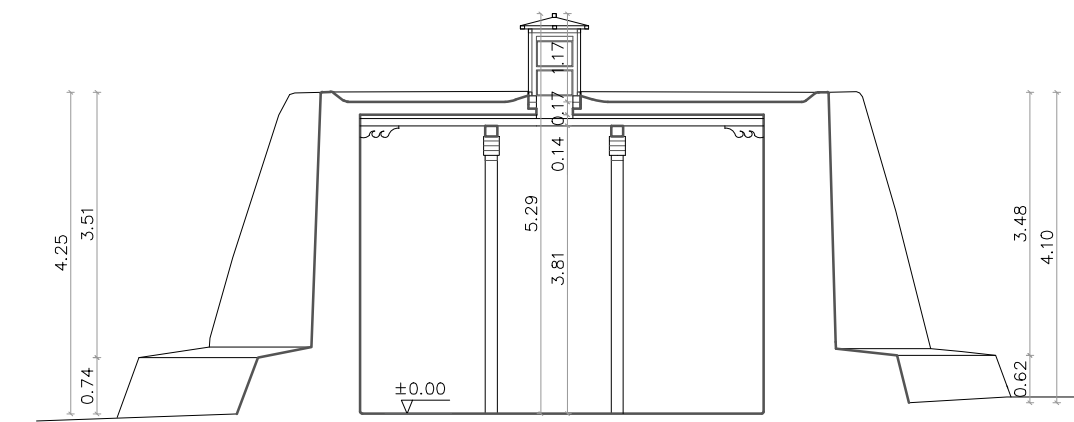
West elevation



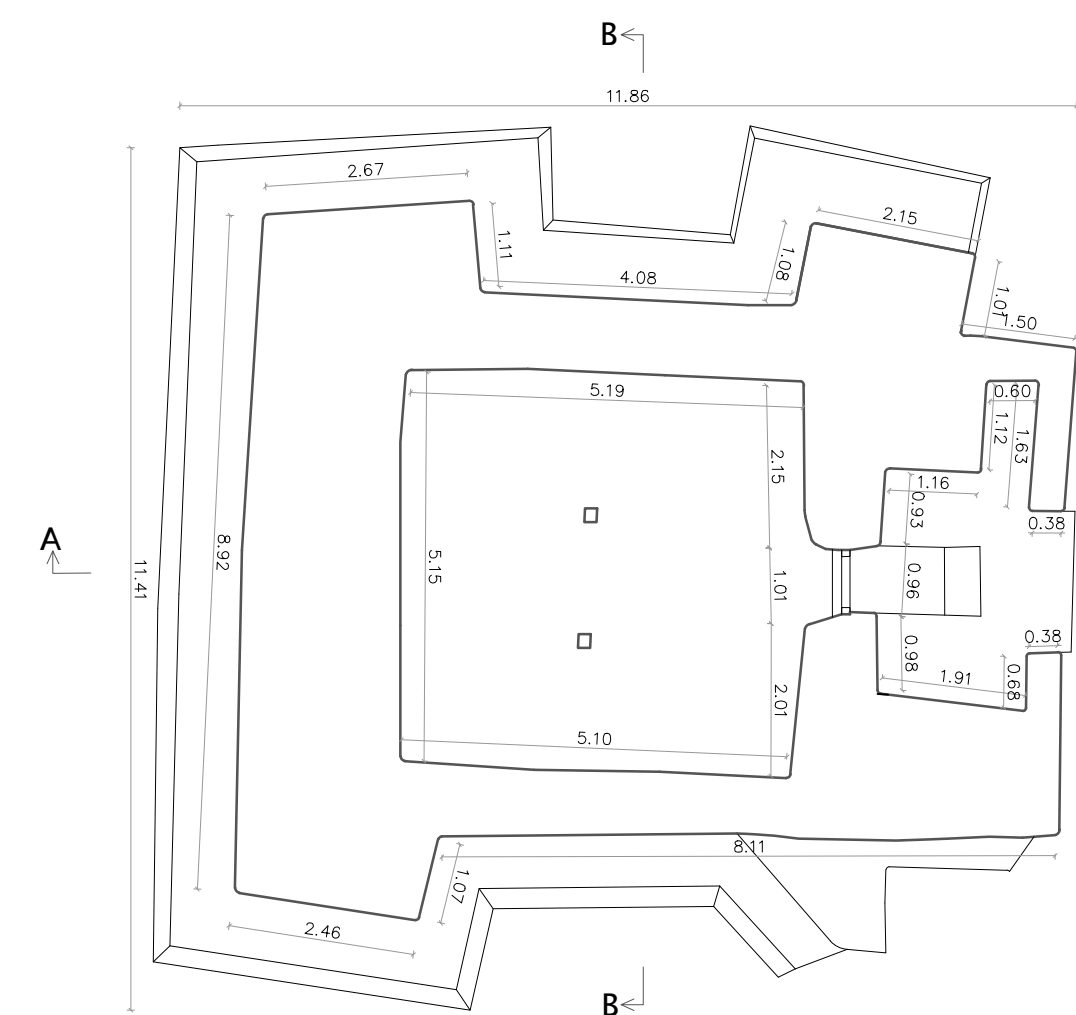
East elevation



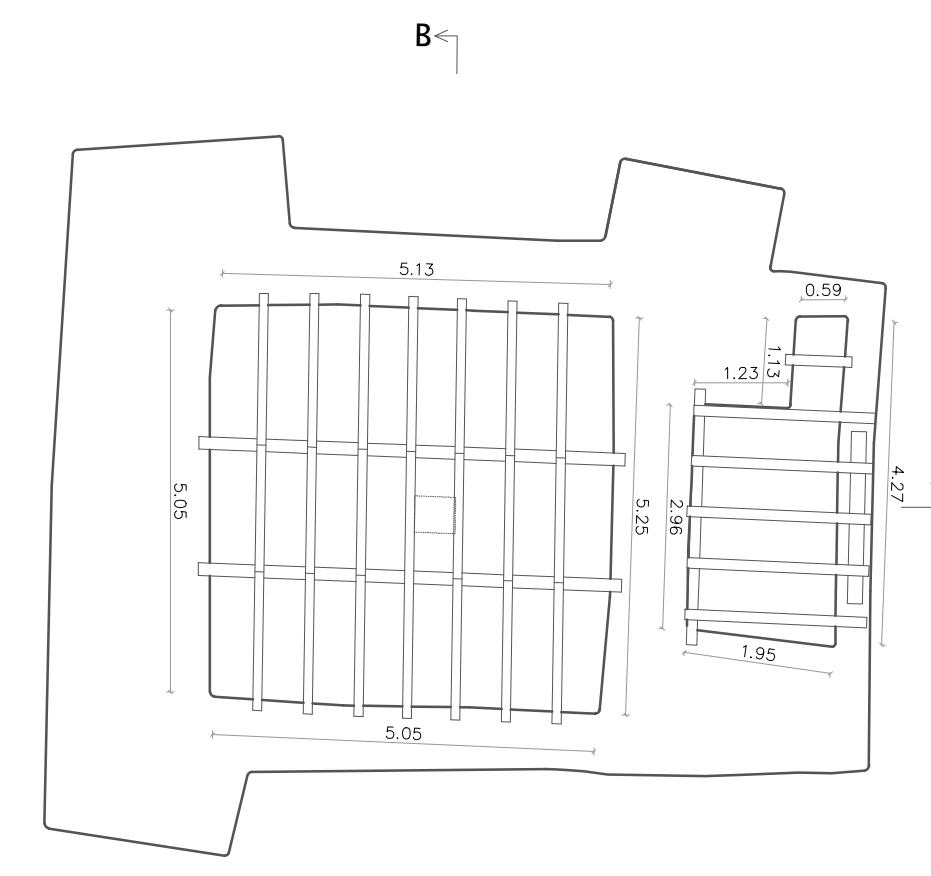
Longitudinal section A-A



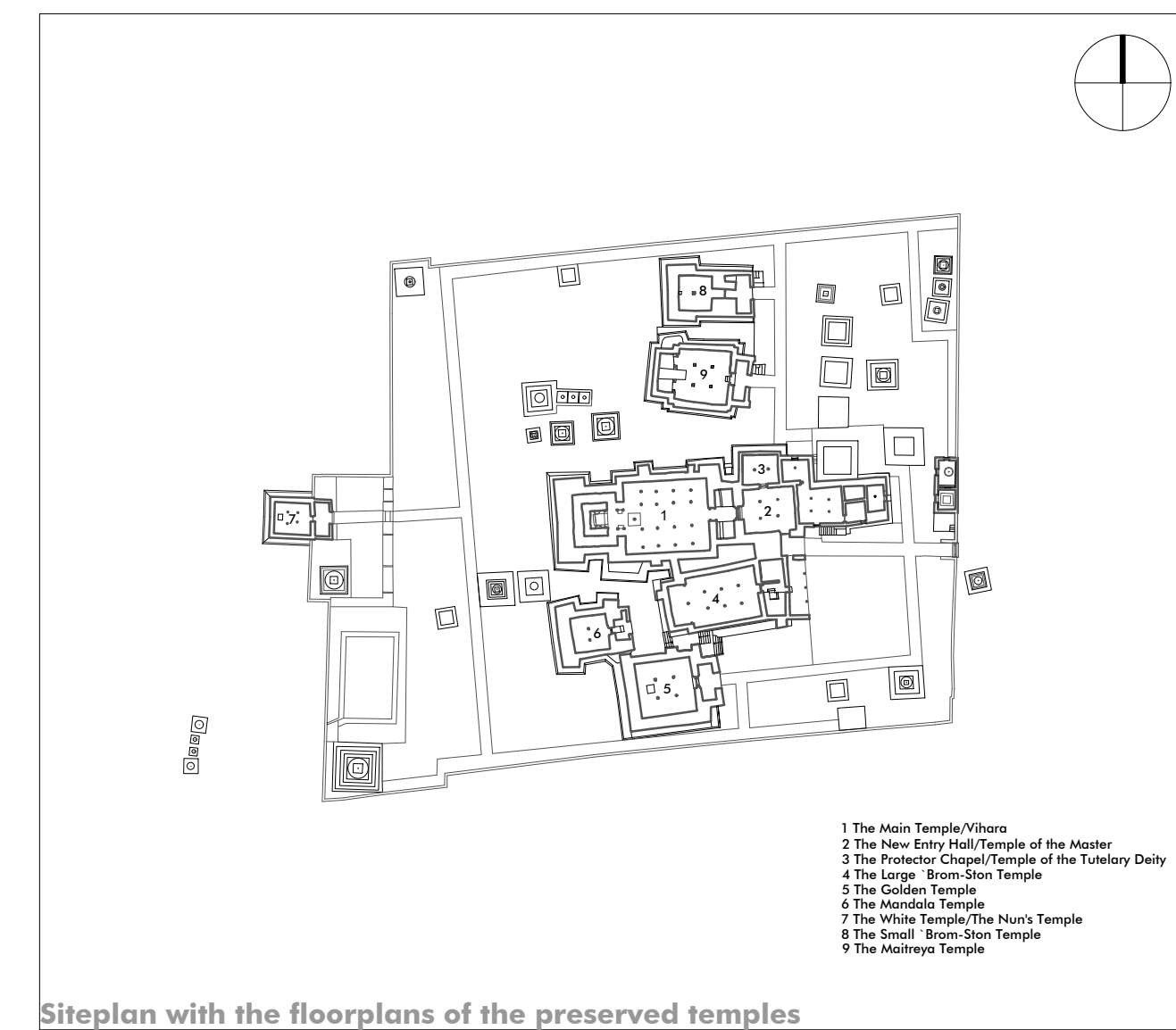
Cross section B-B



Floor plan



Ceiling plan



Siteplan with the floorplans of the preserved temples

BUDDHIST ARCHITECTURE IN THE WESTERN HIMALAYAS

Graz University of Technology - Faculty of Architecture
Institute of Architectural Theory, Art History and Cultural Studies

Title: The Monastic Complex of Tabo - The Mandala Temple

Location: Spiti, 32° 5'36.96" N 78°22'55.50" E

Plan content:	Siteplan with floorplans	Scale:	1:1000
	Floor plans		1:100
	Sections		1:100
	Elevations		1:100

Building survey: 1998-2009

Plan date: 25.03.2024	Plan number: 05/09	Further information: https://archresearch.tugraz.at/results/tabo/
-----------------------	--------------------	---