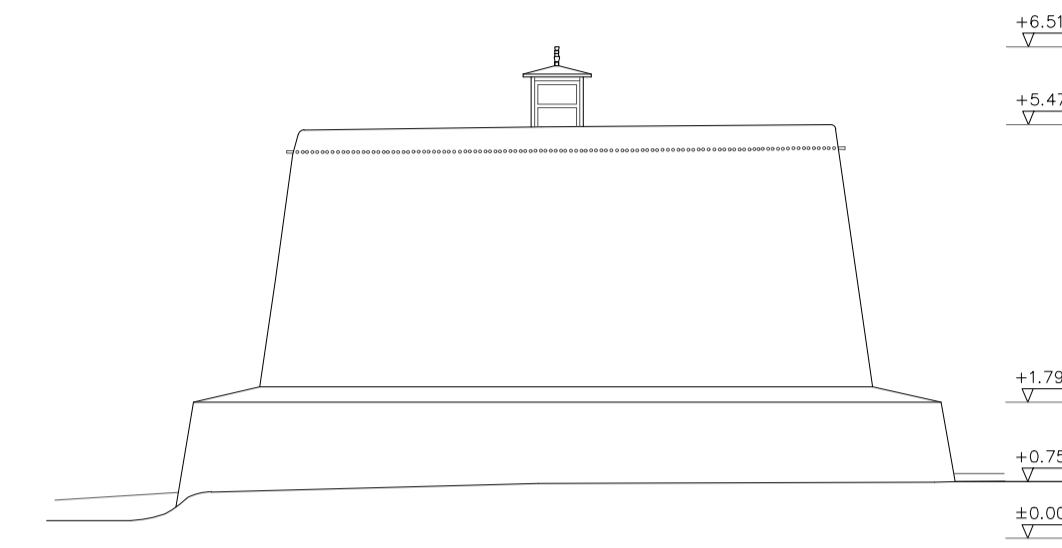


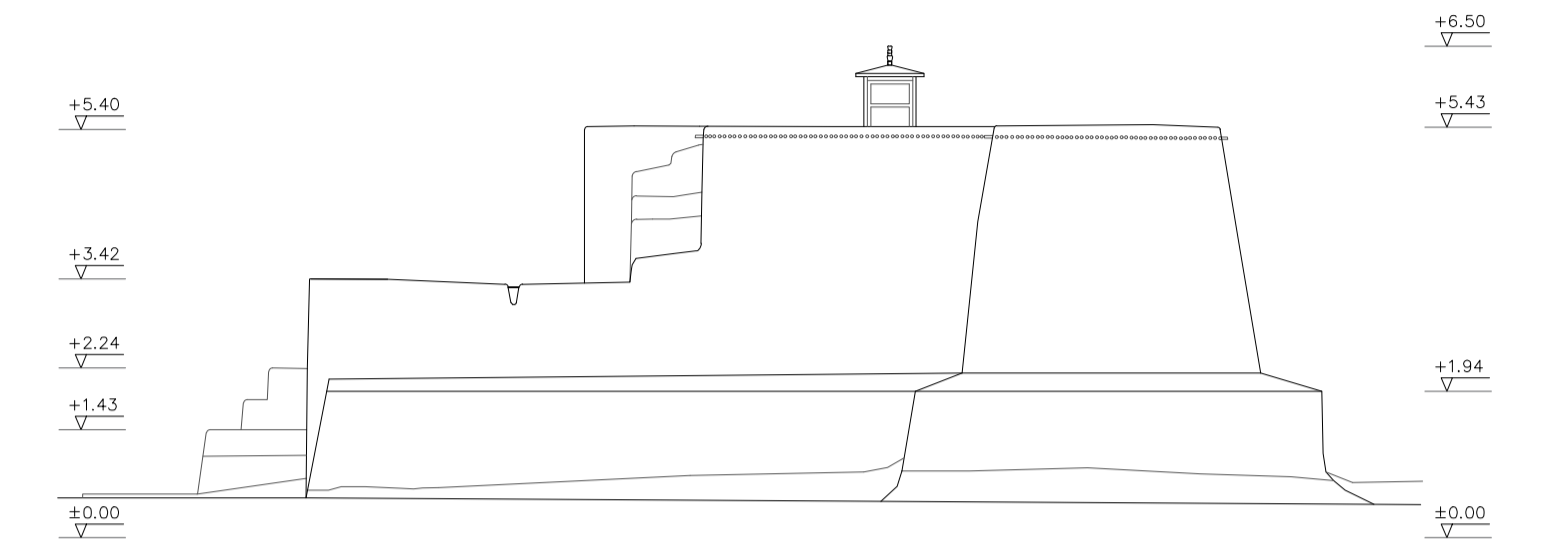
South elevation



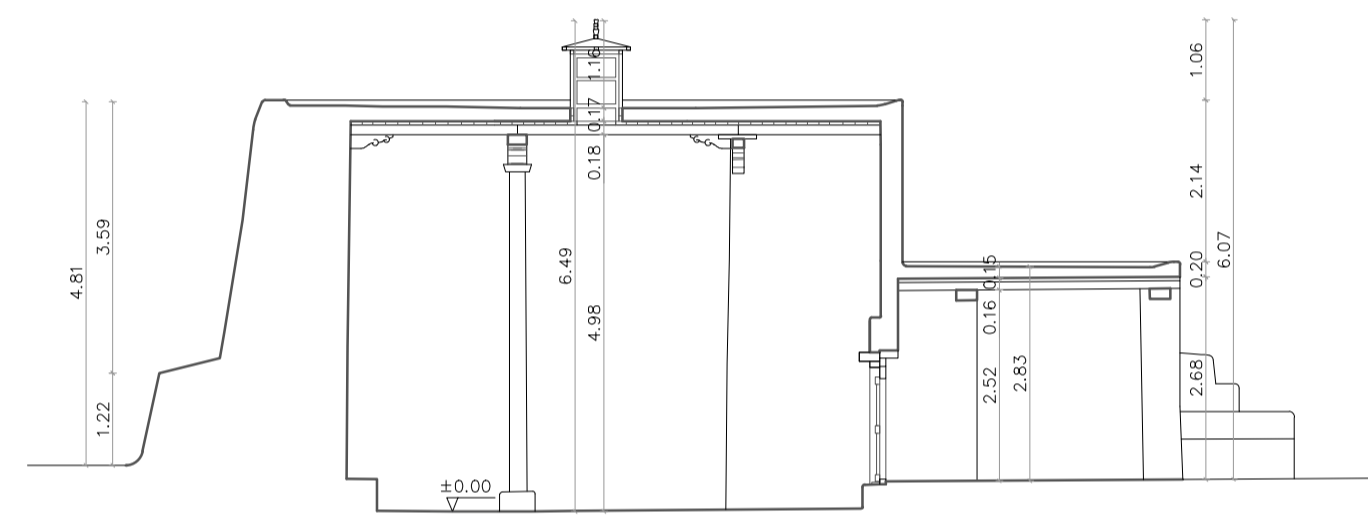
East elevation



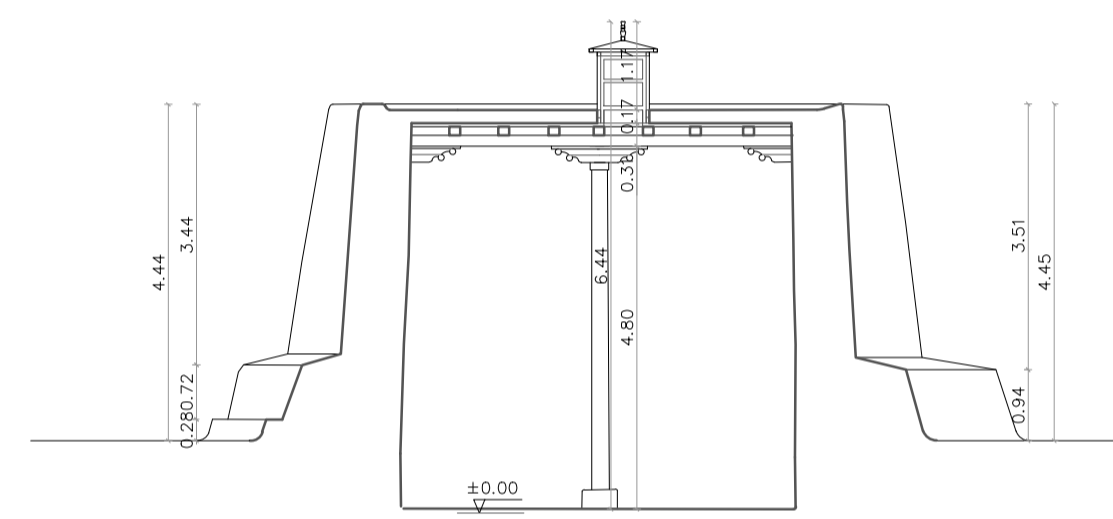
West elevation



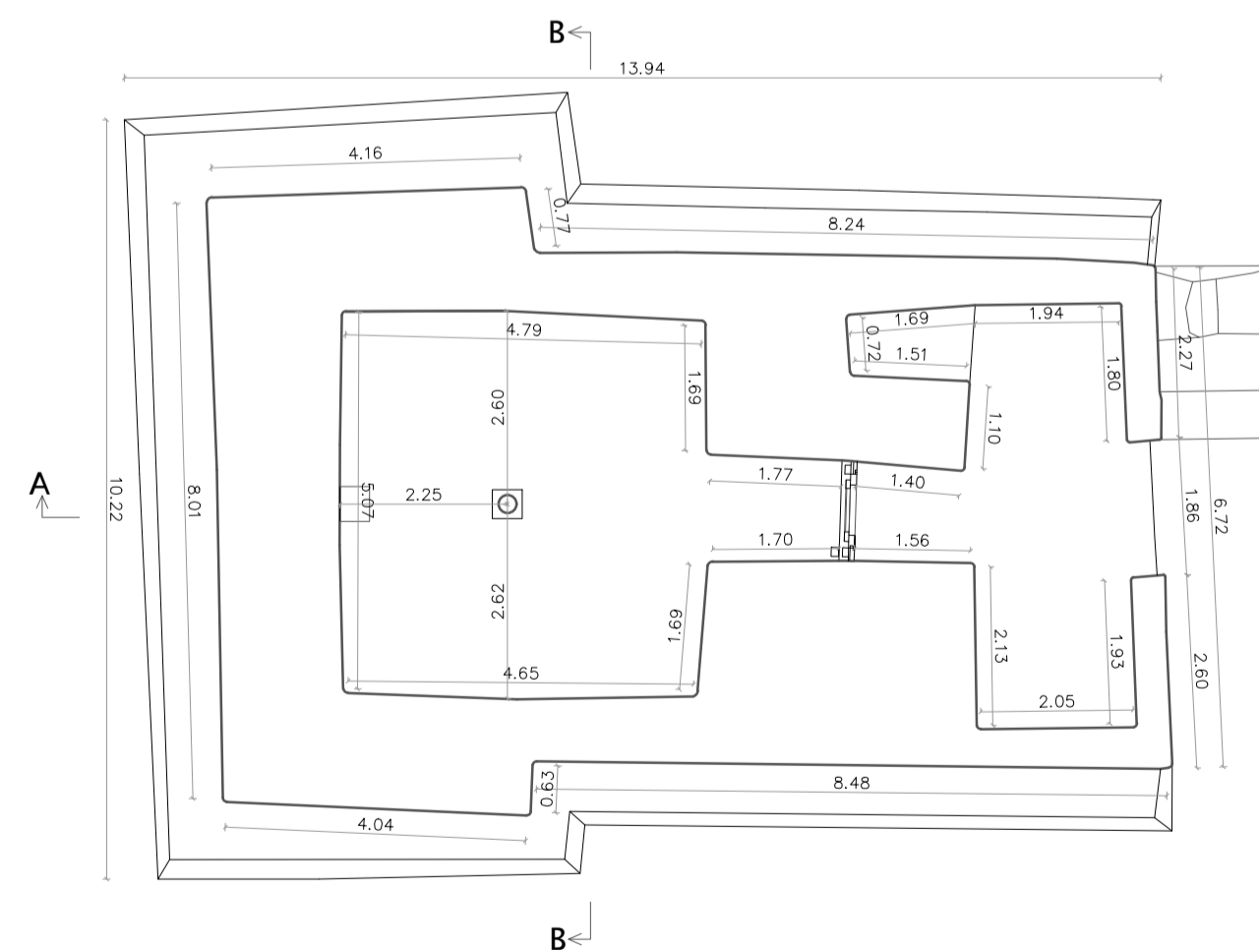
North elevation



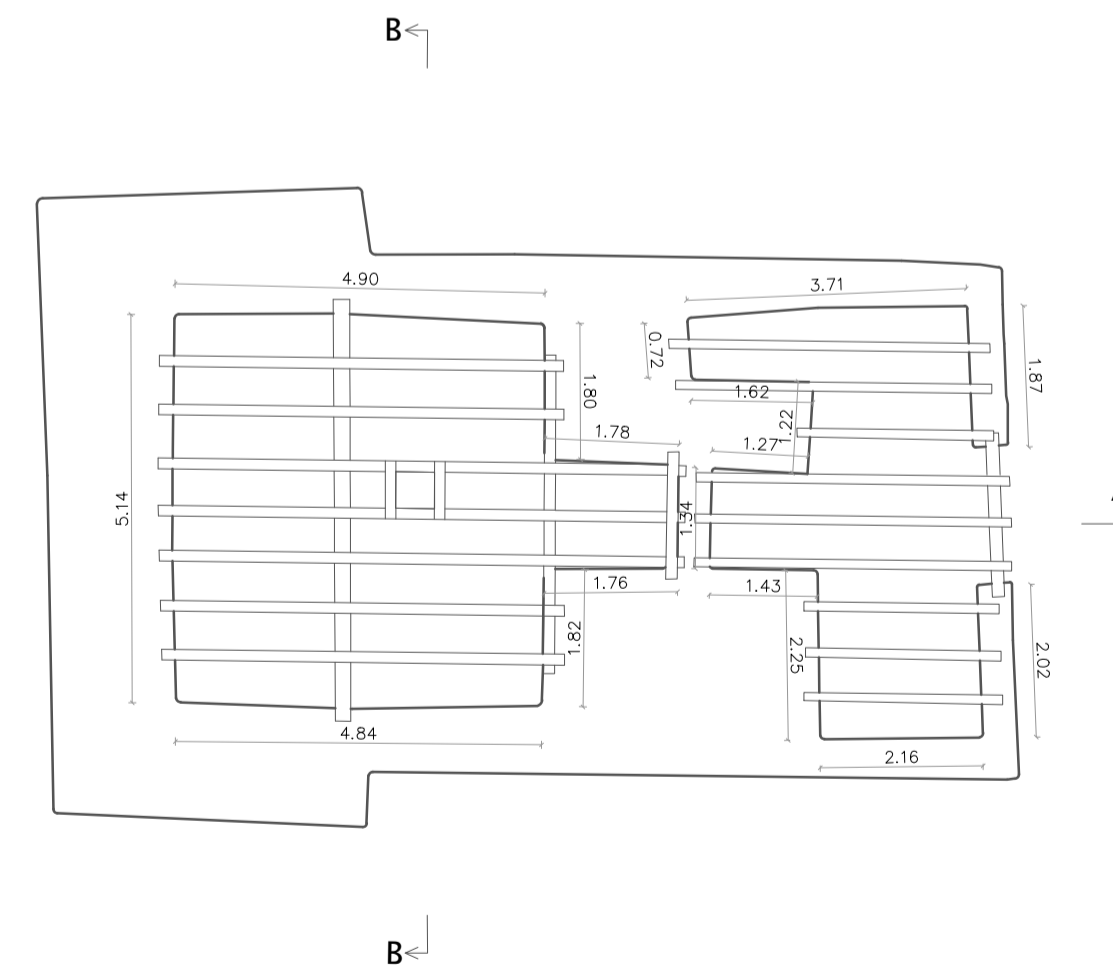
Longitudinal section A-A



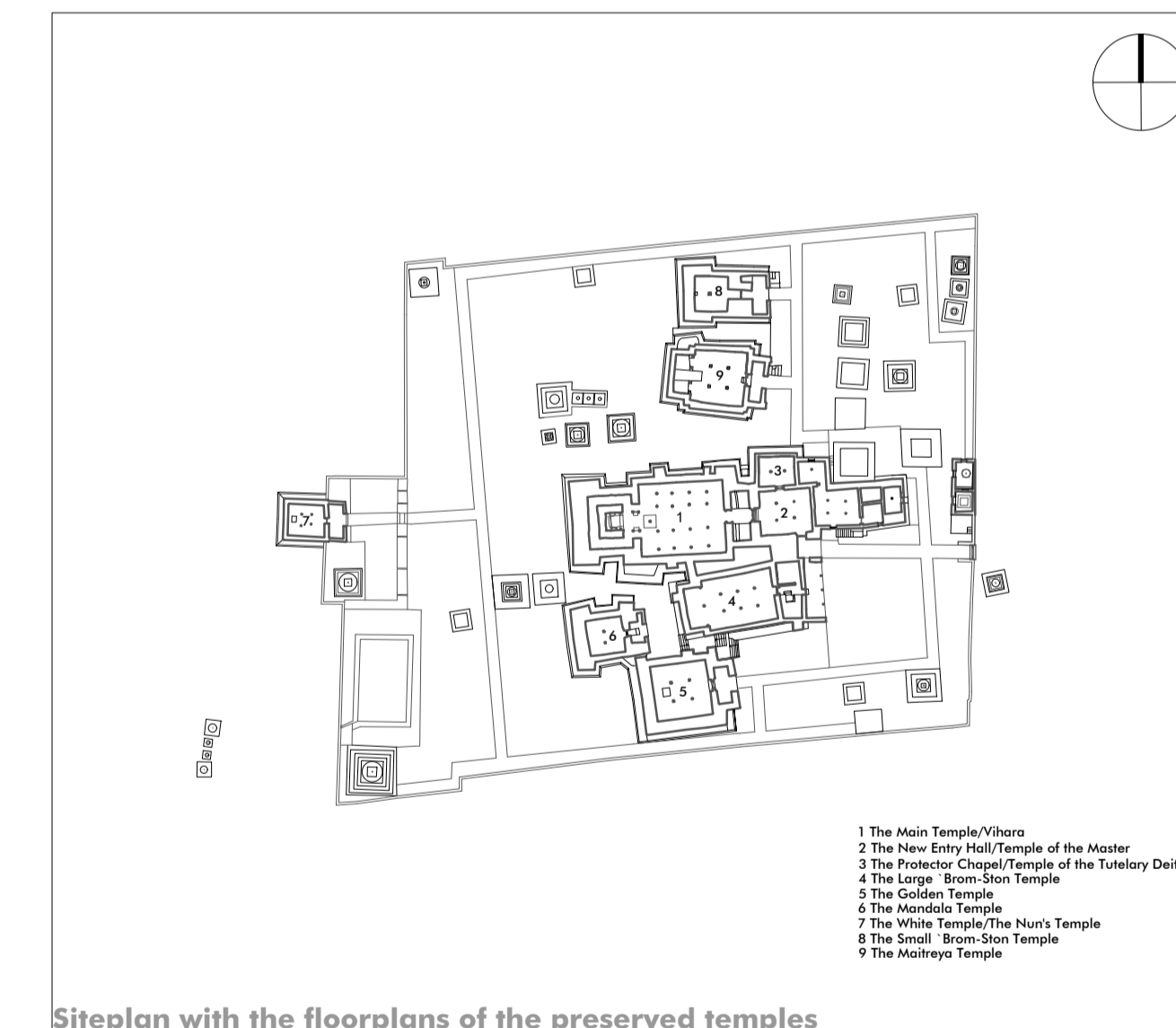
Cross section B-B



Floor plan



Ceiling plan



Siteplan with the floorplans of the preserved temples



BUDDHIST ARCHITECTURE IN THE WESTERN HIMALAYAS

Graz University of Technology - Faculty of Architecture
 Institute of Architectural Theory, Art History and Cultural Studies

Title: The Monastic Complex of Tabo - The Small Brom-Ston Temple

Location: Spiti, 32° 5'36.96" N 78°22'55.50" E

Plan content: Siteplan with floorplans
 Floor plans
 Sections
 Elevations

Scale: 1:1000
 1:100
 1:100
 1:100

Building survey: 1998-2009

Plan date: 25.03.2024 Plan number: 07/09 Further information:
<https://archresearch.tugraz.at/results/tabo/>